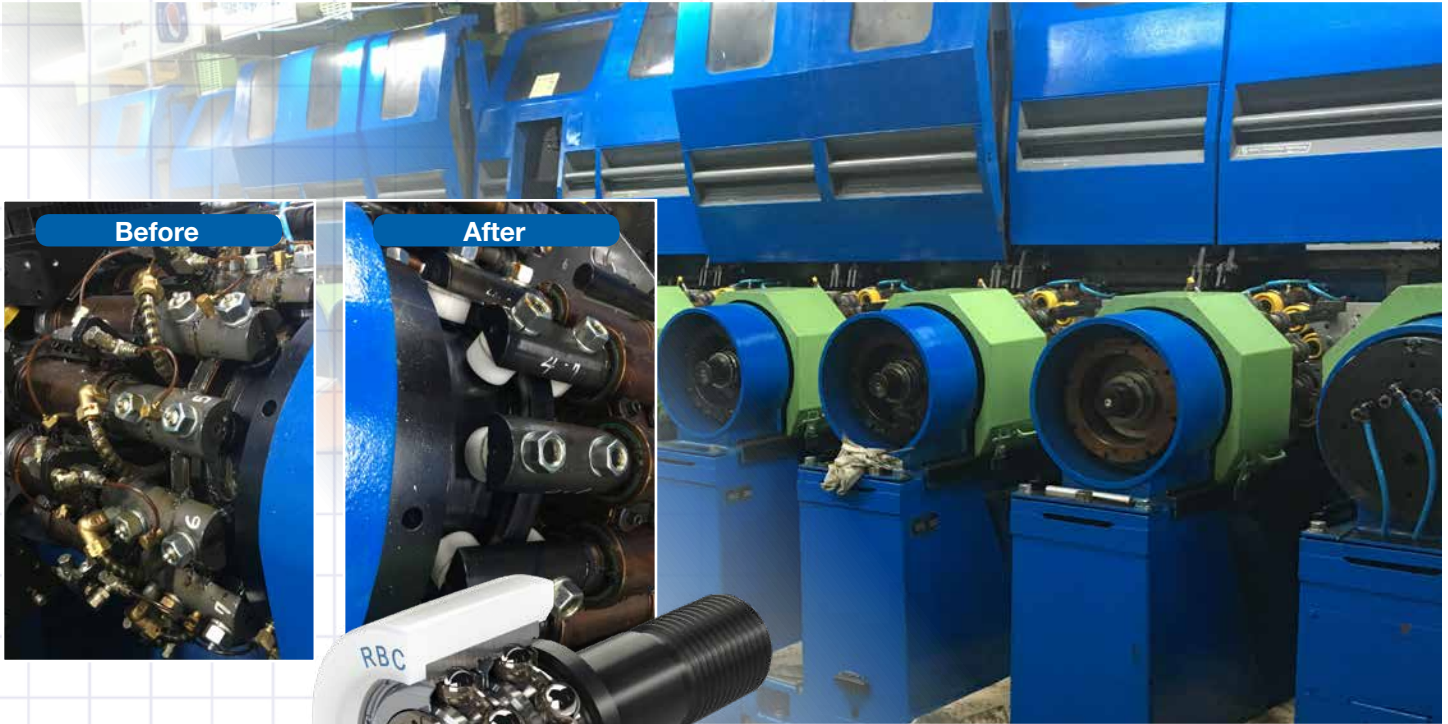
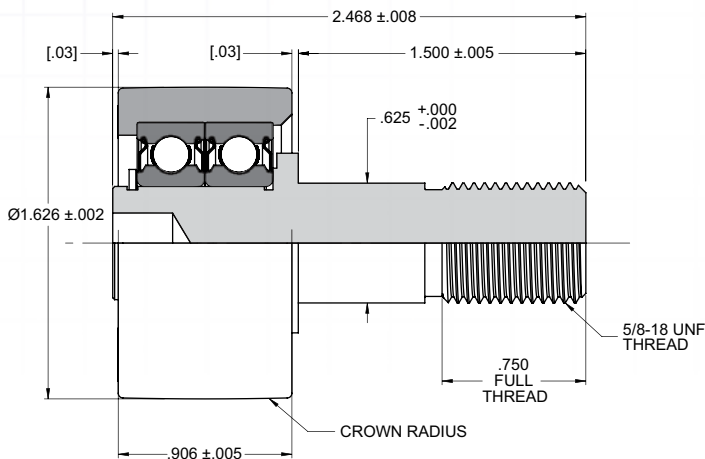


Cam Followers for Canmakers

High Performance Maintenance-Free Cam Followers for Neckers



BCF 1-5/8 14 CT



Features:

- ✓ Precision Lubed-for-Life Ball Bearings
- ✓ Engineered Thermoplastic Outer Ring
- ✓ Hex Head for Easy Installation
- ✓ Drop-in replacement for needle roller cam follower (OEM p/n 2700693)

Key Benefits:

- ✓ Eliminates the need to lubricate the bearings
 - No lube lines to necker rams
 - Reduces grease usage in the system
 - Reduces clean-up when changing rams or bearings
 - Reduces the risk of contamination of cans
- ✓ Eliminates metal to metal cam wear
- ✓ Reduced wear on cam follower OD
- ✓ Longer cam follower replacement interval
 - Estimated 2x life of standard necker bearing



Smoother. Faster. Longer.
Because That's How We Roll.

RBC Bearings® has been producing bearings in the USA since 1919. In addition to unique custom bearings, RBC Bearings® offers a full line of industrial parts for the canning industry, including:



The RBC “Triple Threat” of Necker Cam Follower Solutions! Which is right for your plant?

- The time-tested CRBC1-5/8 14 Long Life RBC Roller® Follower
- The proven Maintenance Free, BCF1-5/8 14 CT Ball Bearing Follower w/polymer outer
- ***NEW***The Maintenance Free, BCF1-5/8 14 ST Ball Bearing Follower w/steel outer

Contact us to determine the best product for your particular operating conditions. RBC is providing engineered solutions to increase reliability for our canning industry customers!



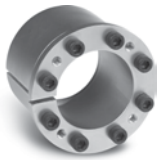
The RBC unitized bearing solution for Standun B3 and B5 Body Makers simplifies installation and increases the hold down lever bearing life. No more loose rollers! Other features and benefits include:

- Addition of an inner ring - virtually no shaft wear - no more shaft replacements
- 3 roller paths – better load distribution - resistance to moment loads – no skewing or skidding damage
- Larger roller pitch circle – more rollers per path - lower outer ring mass - reduced inertial loads

This design is available with narrow or wide-width cam follower outers. Thrust washers included! Contact us to discuss the reduced maintenance costs and improved can quality possible!



RBC Maintenance Free Solutions for Trimmers eliminates the need for relubrication and protects the cam from wear. New, improved sealing prevents coolant and washdown fluids from damaging the bearings. RBC Maintenance Free Ball Bearing Followers BCF1-1/2 10 CT and BCF1-3/4 10 CT are upgrades for OEM C20043 (McGill® CCF11/2SB) and C20044 (McGill® CCF13/4SB).



Climax Metal Products offers a keyless locking assembly that directly replaces the single nut bushing used to mount gears in the driveline of the necker. The screws on the Climax C192 Series KLD are easily tightened with a standard torque of 150 in-lbs. Compare this with the massive wrench and 409 ft-lbs. of torque required to tighten the single nut bushing supplied by the OEM and you will immediately understand the improved safety and ease-of-use this locking device provides to can makers.

Specialty Cam Followers and Bearings for Canmakers:



Necker Cam Followers for Can Neckers

RBC Roller® Cam Followers with two rows of cylindrical rollers offer superior life to Needle Roller Cam Followers.



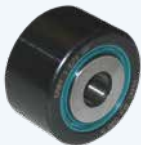
Spindle Disk Cam Followers for Rutherford Can Decorators

Precision Dual-Race, Roller Cam Followers for improved life.



Special Bearings for Ragsdale Body Makers

Special Combination Roller and Spherical Plain Bearings and Cam Followers for Ragsdale Body Makers.



Necker Yoke Rollers for ANC Can Neckers

RBC Roller® Yoke Rollers with two rows of cylindrical rollers offer superior life to Standard Needle Roller Yoke Rollers.



Spindle Disk Cam Followers for Concord Can Decorators

Precision Dual-Race, Roller Cam Followers for improved life. Available in versions for rotary and interposer trip systems.



Special Connecting Rod Bearings for Standun Body Makers

Special Spherical Plain Bearings with extended inner rings eliminate the need for spacers and simplify installation and removal.

Concord, Ragsdale, Rutherford, and Standun are brands of Stolle Machinery.